

SPIRAL CURVE

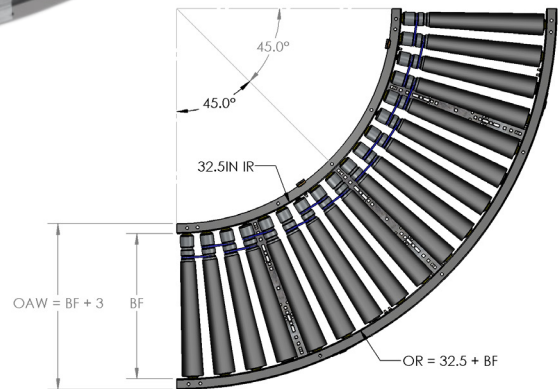
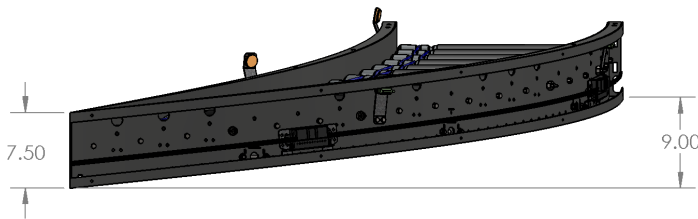
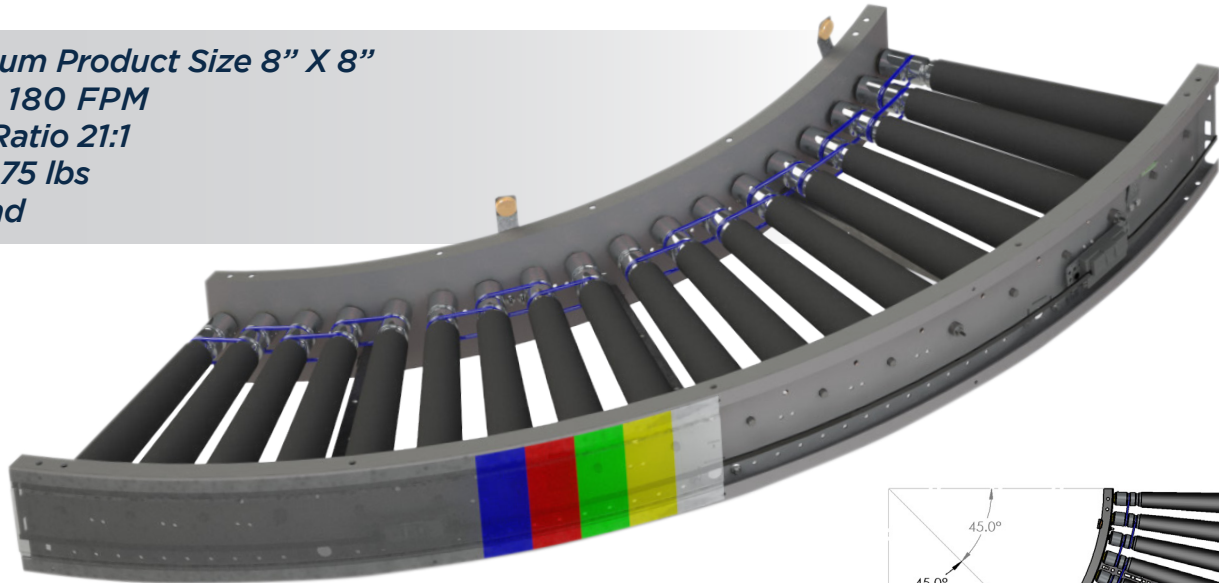
CURVE MODULE - Series 1500

Controls Platform: H-20 Full Control

POWERED BY
TREW

Spiral curve modules can be used as a stand-alone elevation change or combine together to create an inclining or declining spiral, which allows for an elevation change in a small footprint. The pre-wired spiral curve module has built-in zero pressure accumulation and can be networked with bus technology, which enables custom control and fully visible diagnostics. All electric operation ensures a consistent and quiet system that is easy to maintain.

Minimum Product Size 8" X 8"
Up to 180 FPM
Gear Ratio 21:1
Up to 75 lbs
O-Band



KEY FEATURES AND BENEFITS

- Use as a stand-alone elevation change or combine together to create an inclining or declining spiral
- Light to medium weight applications up to 75 lbs
- Resilient and durable construction. Perfect for distribution, warehouse, process lines and postal applications
- Tool-less mounting brackets for all electrical components
- Electrical components have quick connect terminals for easy installations and expansion
- Using durable, high tension 5/16 O-bands
- Available ZPA Analyzer allows for system diagnostic and commissioning
- IP54 Standard

SERIES 1500, ZPA SPIRAL CURVE STANDARDS, 90DEG INCLINE

<i>Description</i>
90DEG SPIRAL CURVE, SERIES 1500, 15IN BF, RSL 7.5IN, 2 ZONE, 32.5IR, 9IN ELEVATION CHANGE, INCLINE, RH CURVE, CW, LH FULL CONTROL
90DEG CURVE, SERIES 1500, 15IN BF, RSL 7.5IN, 2 ZONE, 32.5IR, 9IN ELEVATION CHANGE, INCLINE SPIRAL, LH CURVE, CCW, RH FULL CONTROL
90DEG CURVE, SERIES 1500, 21IN BF, RSL 7.5IN, 2 ZONE, 32.5IR, 9IN ELEVATION CHANGE, INCLINE SPIRAL, RH CURVE, CW, LH FULL CONTROL
90DEG CURVE, SERIES 1500, 21IN BF, RSL 7.5IN, 2 ZONE, 32.5IR, 9IN ELEVATION CHANGE, INCLINE SPIRAL, LH CURVE, CCW, RH FULL CONTROL
90DEG CURVE, SERIES 1500, 27IN BF, RSL 7.5IN, 2 ZONE, 32.5IR, 9IN ELEVATION CHANGE, INCLINE SPIRAL, RH CURVE, CW, LH FULL CONTROL
90DEG CURVE, SERIES 1500, 27IN BF, RSL 7.5IN, 2 ZONE, 32.5IR, 9IN ELEVATION CHANGE, INCLINE SPIRAL, LH CURVE, CCW, RH FULL CONTROL
90DEG CURVE, SERIES 1500, 33IN BF, RSL 7.5IN, 2 ZONE, 32.5IR, 9IN ELEVATION CHANGE, INCLINE SPIRAL, RH CURVE, CW, LH FULL CONTROL
90DEG CURVE, SERIES 1500, 33IN BF, RSL 7.5IN, 2 ZONE, 32.5IR, 9IN ELEVATION CHANGE, INCLINE SPIRAL, LH CURVE, CCW, RH FULL CONTROL

SERIES 1500, ZPA SPIRAL CURVE STANDARDS, 90DEG DECLINE

<i>Description</i>
90DEG CURVE, SERIES 1500, 15IN BF, RSL 7.5IN, 2 ZONE, 32.5IR, 9IN ELEVATION CHANGE, DECLINE SPIRAL, RH CURVE, CW, LH FULL CONTROL
90DEG CURVE, SERIES 1500, 15IN BF, RSL 7.5IN, 2 ZONE, 32.5IR, 9IN ELEVATION CHANGE, DECLINE SPIRAL, LH CURVE, CCW, RH FULL CONTROL
90DEG CURVE, SERIES 1500, 21IN BF, RSL 7.5IN, 2 ZONE, 32.5IR, 9IN ELEVATION CHANGE, DECLINE SPIRAL, RH CURVE, CW, LH FULL CONTROL
90DEG CURVE, SERIES 1500, 21IN BF, RSL 7.5IN, 2 ZONE, 32.5IR, 9IN ELEVATION CHANGE, DECLINE SPIRAL, LH CURVE, CCW, RH FULL CONTROL
90DEG CURVE, SERIES 1500, 27IN BF, RSL 7.5IN, 2 ZONE, 32.5IR, 9IN ELEVATION CHANGE, DECLINE SPIRAL, RH CURVE, CW, LH FULL CONTROL
90DEG CURVE, SERIES 1500, 27IN BF, RSL 7.5IN, 2 ZONE, 32.5IR, 9IN ELEVATION CHANGE, DECLINE SPIRAL, LH CURVE, CCW, RH FULL CONTROL
90DEG CURVE, SERIES 1500, 33IN BF, RSL 7.5IN, 2 ZONE, 32.5IR, 9IN ELEVATION CHANGE, DECLINE SPIRAL, RH CURVE, CW, LH FULL CONTROL
90DEG CURVE, SERIES 1500, 33IN BF, RSL 7.5IN, 2 ZONE, 32.5IR, 9IN ELEVATION CHANGE, DECLINE SPIRAL, LH CURVE, CCW, RH FULL CONTROL